

Recessed luminaire - Micro-prismatic diffuser - direct distribution

Sheet steel housing suitable for ceilings with visible T-rails, concealed symmetrical rail constructions and recessed ceilings; Housing colour traffic white RAL 9016; Direct light distribution using microprismatic pane made of PMMA, a soft light shines through frosted diffusers; neutral white light colour (840) with very good colour consistency and high colour rendering $R_a > 80$ for VDU workstations, $65^\circ < 3000 \text{ cd/m}^2$ with omnidirectional glare suppression according to current DIN-EN 12464-1 standard.; Electrical connection via 3-pole connection terminal with plug-in contacts.; With changeover converter for emergency lighting operation on request. TNE-BM mounting mechanism 4 pcs. 300/312 for concealed symmetrical rail constructions or recessed ceilings, please order separately.

CHARACTERISTICS

Order number	50803114170
EAN number	4020863355648
Commodity code	94051190
Certification mark	IP 20, Protection class I, VDU $65^\circ < 3000$, F, F-"roof" mark, Indoor, CE
Impact resistance (IK rating)	IK02
Ambient temperatur	ta 25°C
Warranty period	5 years
State funding programs	BEG - Federal funding for efficient buildings (valid only for Germany)

ELECTRICAL ENGINEERING

Controller	Electronic driver (1 pcs.)
System output	33W
Mains voltage	230V/50Hz
Circuit breakers (inrush current)	8 pieces/B10, 16 pieces/B16, 16 pieces/C10, 32 pieces/C16
Energy efficiency class/light source	C

LIGHTING TECHNOLOGY

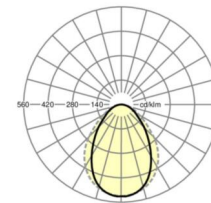
Placement	LED, Colour rendering/Light colour CRI ≥ 80 / 4000K
Colour tolerance (MacAdam)	3SDCM
Photobiological safety (Luminaire)	RG0
Nominal luminous flux	3986lm
LED service life	50000h L80/B10 (Tq 25°C)
Luminaire luminous efficiency	121lm/W
UGR lat./long.	17.8 / 19.1

MECHANICS

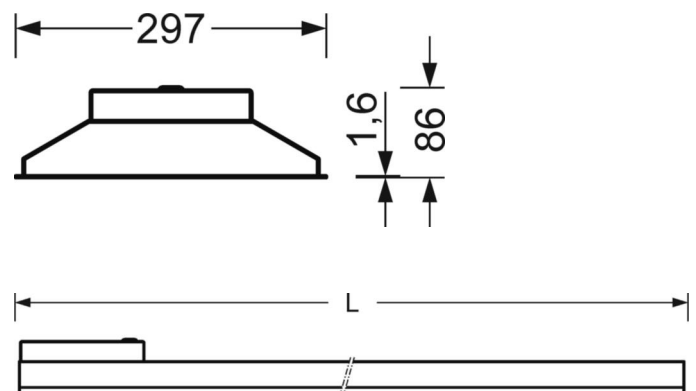
Housing colour	traffic white RAL 9016
Dimensions (LxWxH/DxH)	1197mm x 297mm x 86mm
Depth	84mm
Ceiling system	ceilings with visible T-rails [s-TS] (300x1200 mm), Concealed symmetrical rail construction [VS] (300x1200 mm), cut-out ceilings [AD]
Ceiling cut-out (LxW/D)	285mm x 1188mm
Installation depth	100mm [AD]; 250mm [s-TS]; 150mm [VS]
Weight (net)	5.5kg
Type of installation	Recessed mounting, Ceiling installation individual mounting

DEEP-LINK

<https://www.regiolux.de/en/article/50803114170>



Reference	LED 3900lm 840
η_{LB}	100 %
$\Phi_{\downarrow/\uparrow}$	100 % / 0 %
UGR lat./long.	17.8 / 19.1
VDU	$65^\circ < 3000 \text{ cd/m}^2$



Dimensions

L	1197 mm	Length
B	297 mm	Width
H	86 mm	Height
T	84 mm	Depth
DA(L)	285 mm	Cutting dimension length
DA(B)	1188 mm	Cutting dimension width
Et(AD)	100 mm	Ceiling distance minimum (cut-out ceiling)
Et(TS)	250 mm	Ceiling distance minimum - recommended (visible T-rail)
Et(VS)	150 mm	Ceiling distance minimum (concealed symmetrical)
MLTS1	1200 mm	Module dimension length (visible T-rail)
MLTS_1/2	1200	Module dimension length (visible T-rail) 1/2
MLVS	1200 mm	Module dimension length (concealed symmetrical)
MBTS1	300 mm	Module dimension width (visible T-rail)
MBTS_1/2	300	Module dimension width (visible T-rail) 1/2
MBVS	300 mm	Module dimension width (concealed symmetrical)